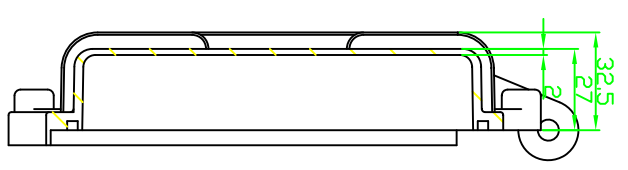
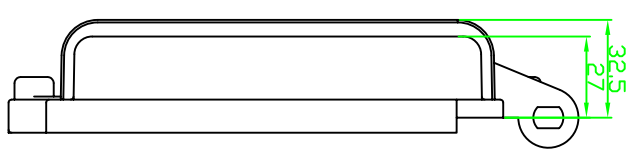
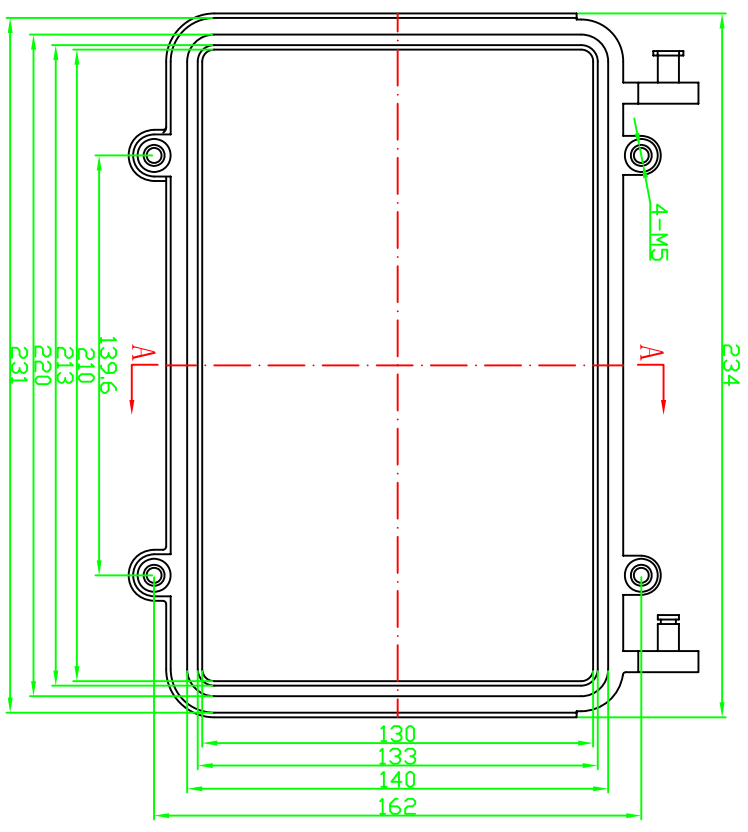
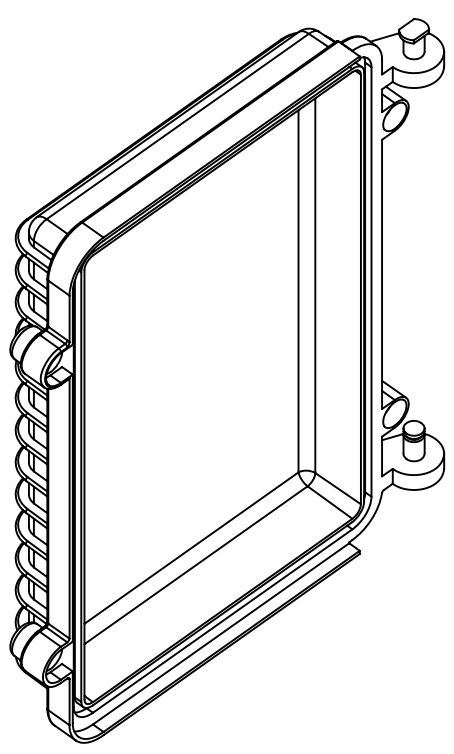


REVISION RECORD				
REV	ECD	DESCRIPTION	DRFT	CHKD



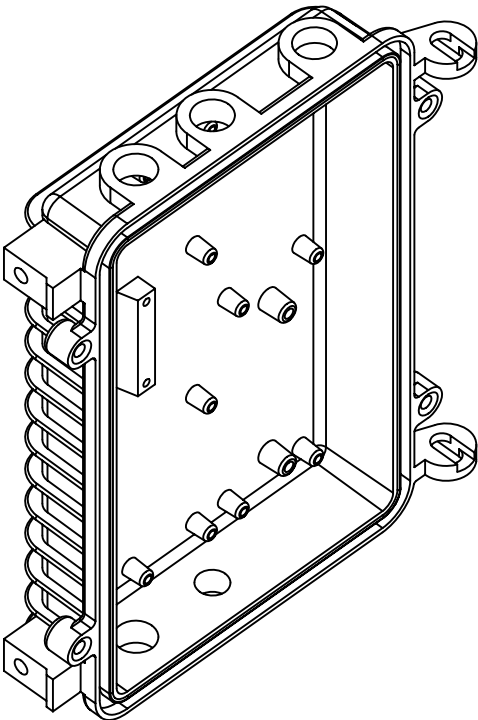
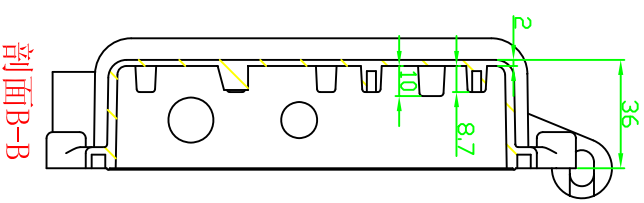
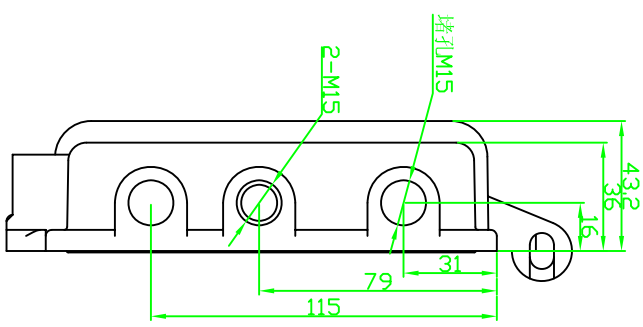
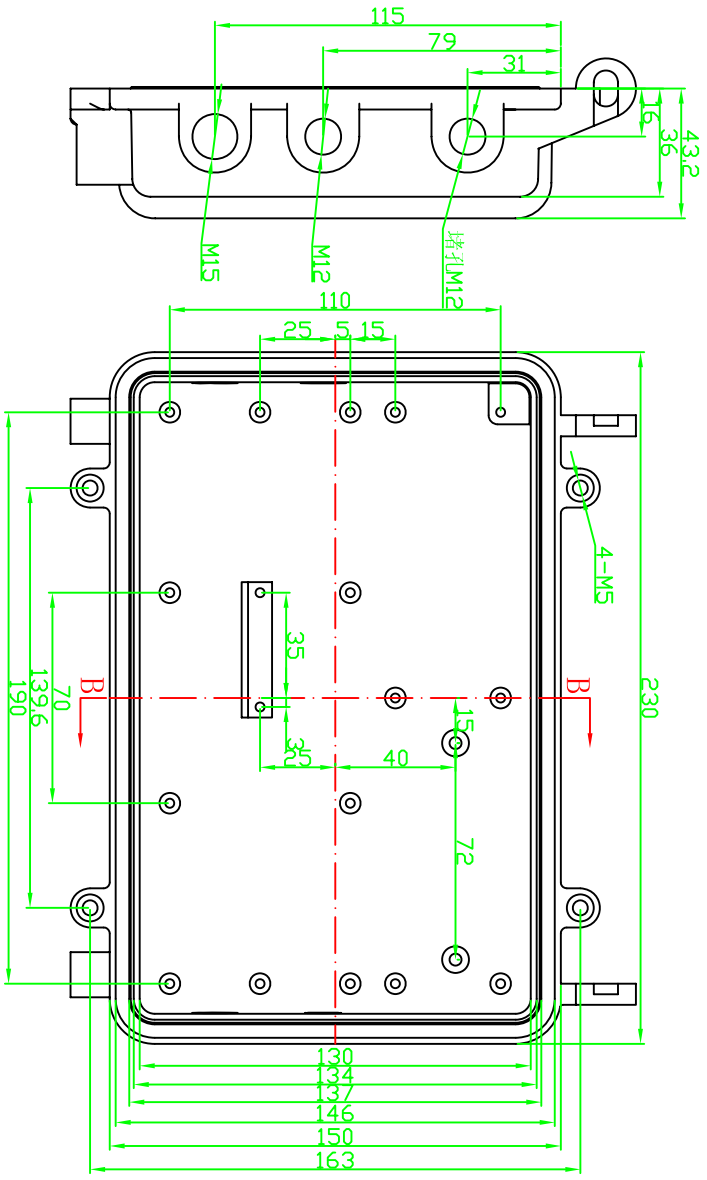
剖面A-A



DETACHED LISTS			
 FIRST ANGLE PROJECTION	 ANGLES ± 5°	TOLERANCES EXCEPT AS NOTED MM ± 0.3 .00 ± 0.2 0.00 ± 0.1	DRFTD DATE CHKD DATE MFD DATE APPVL DATE
FINISH:	MATERIAL: AL	QTY: 1	DATE
SCALE: 1:1	TITLE: AAP001A-S	DRAWING NO: AAP001A-S	DATE
DD NOT SCALE DRAWING	SHEET X OF Y	SIZE A4	REV

埃弗勒斯
EVEREST
WWW.EVERESTCASE.COM

REVISION RECORD			
REV	ECD	DESCRIPTION	DRFT



DETACHED LISTS			
 FIRST ANGLE PROJECTION	ANGLE ± 5°	TOLERANCES EXCEPT AS NOTED MM .1 ± 0.3 .00 ± 0.2 .000 ± 0.1	DRFTD CHKD MFD APPVL
FINISH:	QTY: 1	MATERIAL: AL	DATE DATE DATE
SCALE: 1:1	TITLE AAP001A-X	EVEREST WWW.EVERESTCASE.COM	DRAWING NO. AAP001A-X /PART NO.
DD NOT SCALE DRAWING	SHEET X OF Y	SIZE A4	REV