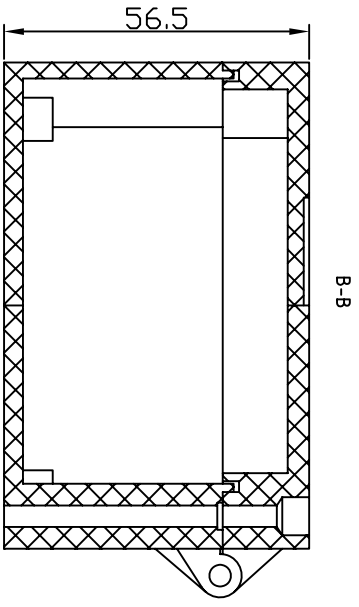
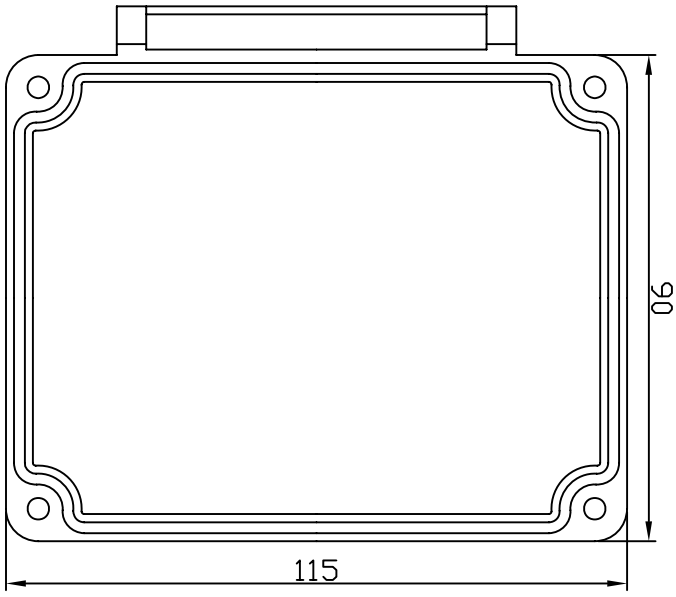
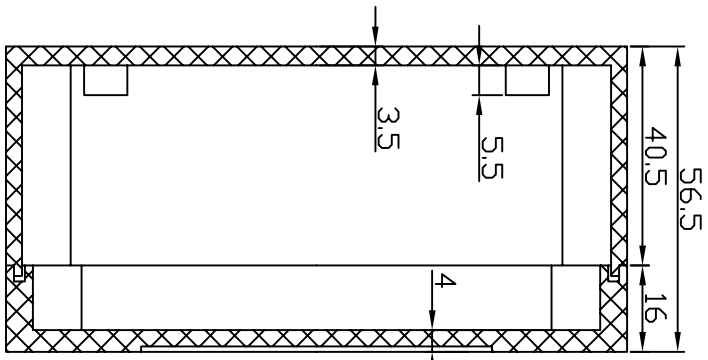
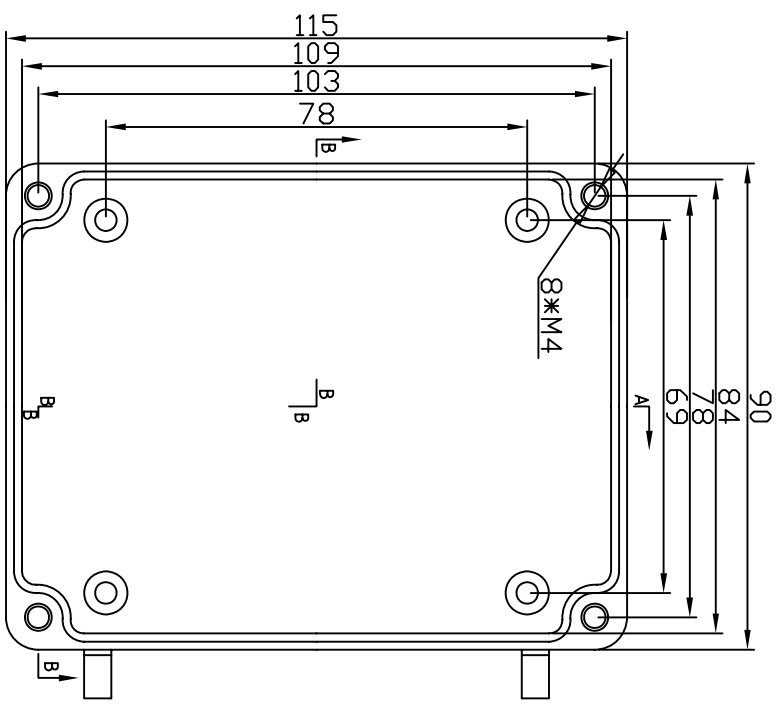


REVISION RECORD				
REV	ECD	DESCRIPTION	DRFT	CHKD



DETACHED LISTS		DATE	DATE	DATE	DATE
MM	INCHS	CHKD	DATE	DATE	DATE
0 ± 0.3		APPVL	DATE	DATE	DATE
.00 ± 0.02		MATERIAL: AL			
.000 ± 0.1		QT'Y: 1			
ANGLES ± 5°		FINISH:			
TOLERANCES EXCEPT AS NOTED		SCALE: 1:1			
THIRD ANGLE PROJECTION		DID NOT SCALE DRAWING			
TITILE		DRAWING NO. AW012			
埃弗勒斯		/PART NO. 00			
EVEREST		SIZE A4			
WWW.EVERESTCASE.COM		REV			
AW012		SHEET 1 OF 1			