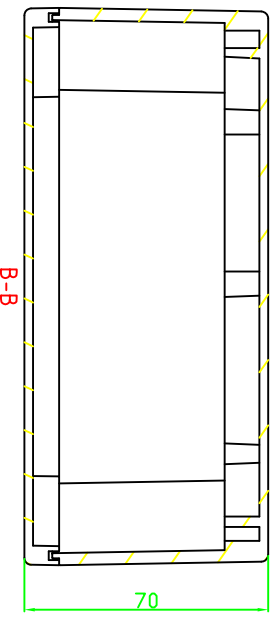
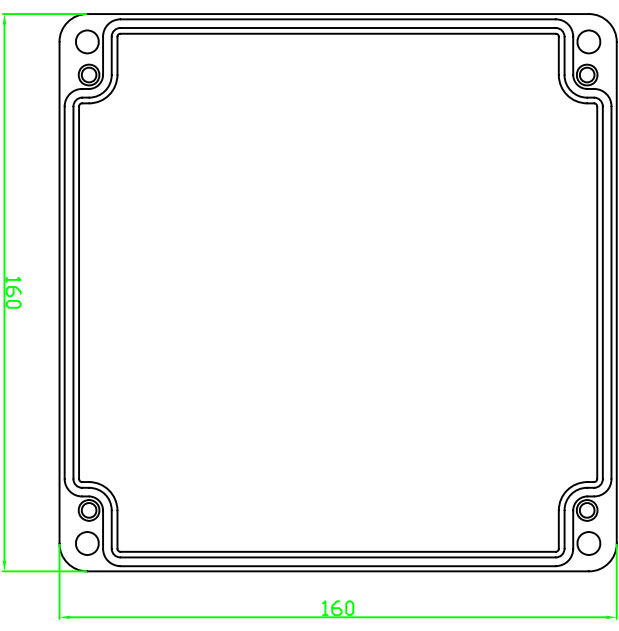
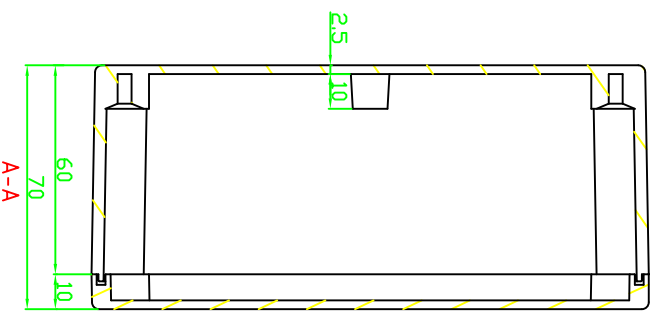
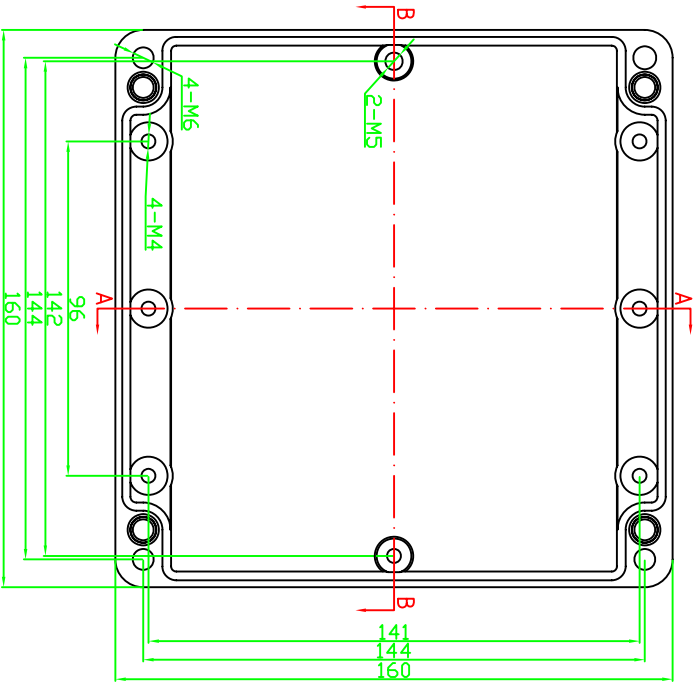


REVISION RECORD				
REV	ECD	DESCRIPTION	DRFT	CHKD



DETACHED LISTS		MM	INCHES
ANGLES ± 5°	±	±	±
TOLERANCES EXCEPT AS NOTED	MM	± 0.3	
		± 0.2	
		± 0.1	

DRAWN	NAME	DATE
Adriotti		12/04/2014
CHECKED		
ENG APPR		
MATERIAL : AL		
QTY : 1		
FINISH :		
SCALE : 1:1		

		EVEREST WWW.EVERESTCASE.COM	
TITLE			
AW078			
DRAWING NO. AW078		SIZE	
/PART NO. 00		A4	
DD NOT SCALE DRAWING		REV	
SHEET 1		OF 1	