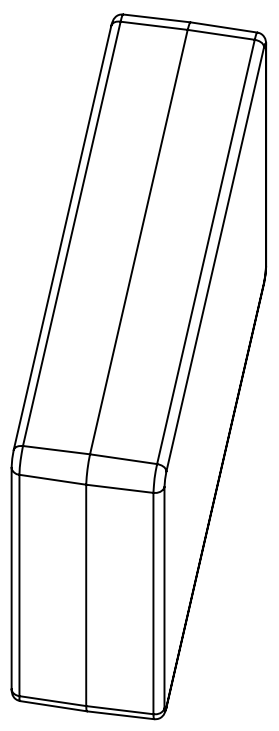
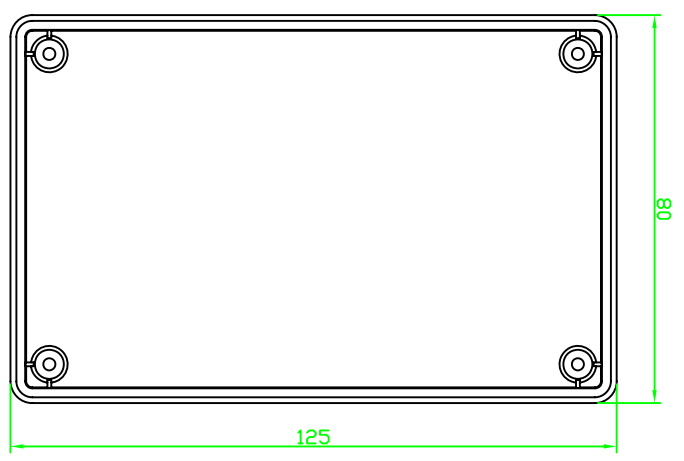
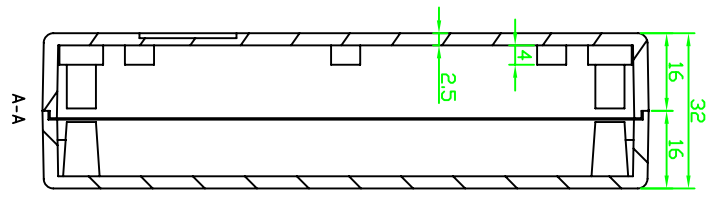
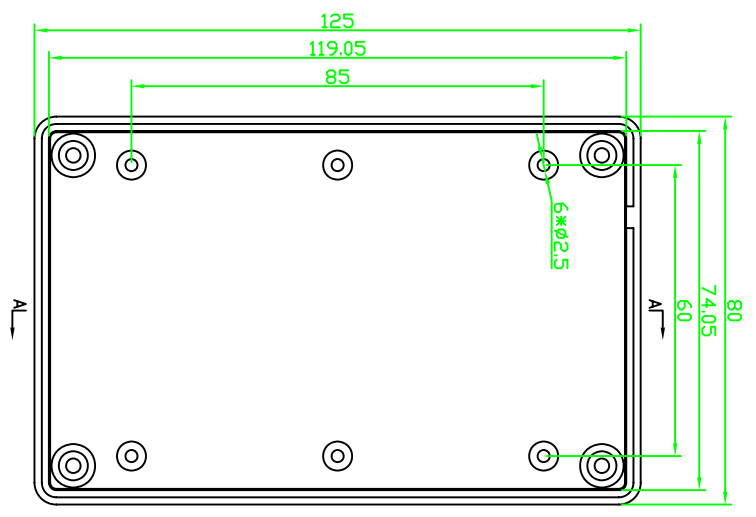


REVISION RECORD				
REV	ECD	DESCRIPTION	DRFT	CHKD



DETACHED LISTS			
MM	(INCH)	DRFTD	DATE
0 ± 0.3		CHKD	DATE
.00 ± 0.02		WF D	DATE
0.00 ± 0.01		APPVL	DATE
±			
±			
±			
MATERIAL : ABS			
QTY :			
FINISH :			
SCALE : 1:1			
FIRST ANGLE PROJECTION			

		<b>EVEREST</b> WWW.EVERESTCASE.COM	
TITLE			
DRAWING NO. PC019		SIZE	
/PART NO. 00		A4	
DID NOT SCALE DRAWING		REV	
SHEET 1		OF 1	