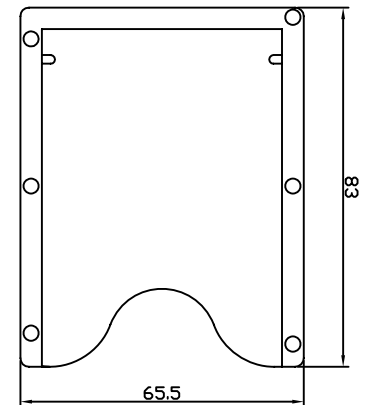
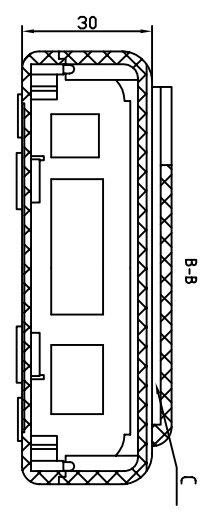
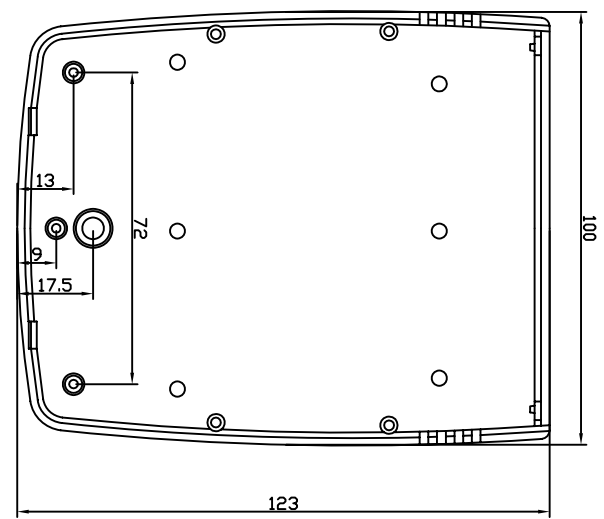
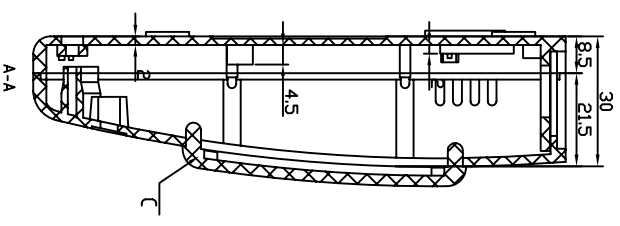
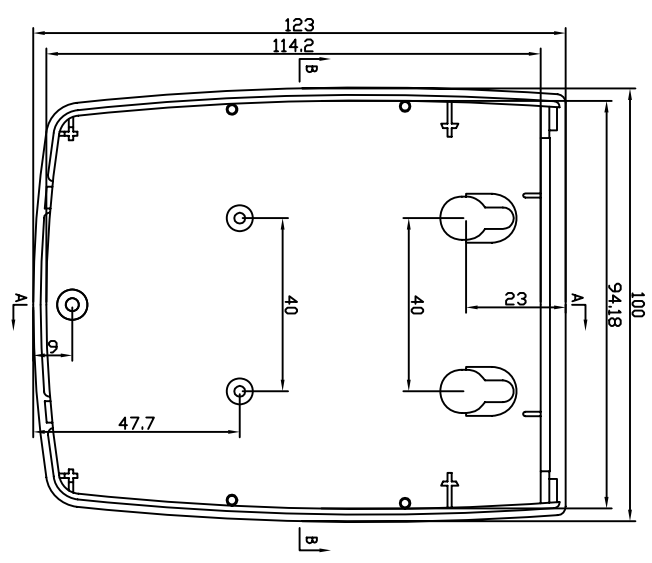


REVISION RECORD				
REV	ECD	DESCRIPTION	DRFT	CHKD



DETACHED LISTS			
 THIRD ANGLE PROJECTION	TOLERANCES EXCEPT AS NOTED MM (INCH) 0.1 ± 0.3 0.05 ± 0.2 0.00 ± 0.1	ANGLES ± 5°	DRFTD CHKD MFD APPVL
DATE DATE DATE DATE	MATERIAL: ABS QTY: 1	TITLE <b>PC029</b>	DATE DATE DATE DATE
FINISH:	DRAWING NO: PC029 /PART NO: 00	<b>埃弗勒斯</b> <b>EVEREST</b> WWW.EVERESTCASE.COM	DATE DATE DATE DATE
SCALE: 1:1	DD NOT SCALE DRAWING	SIZE <b>A4</b>	REV OF 1