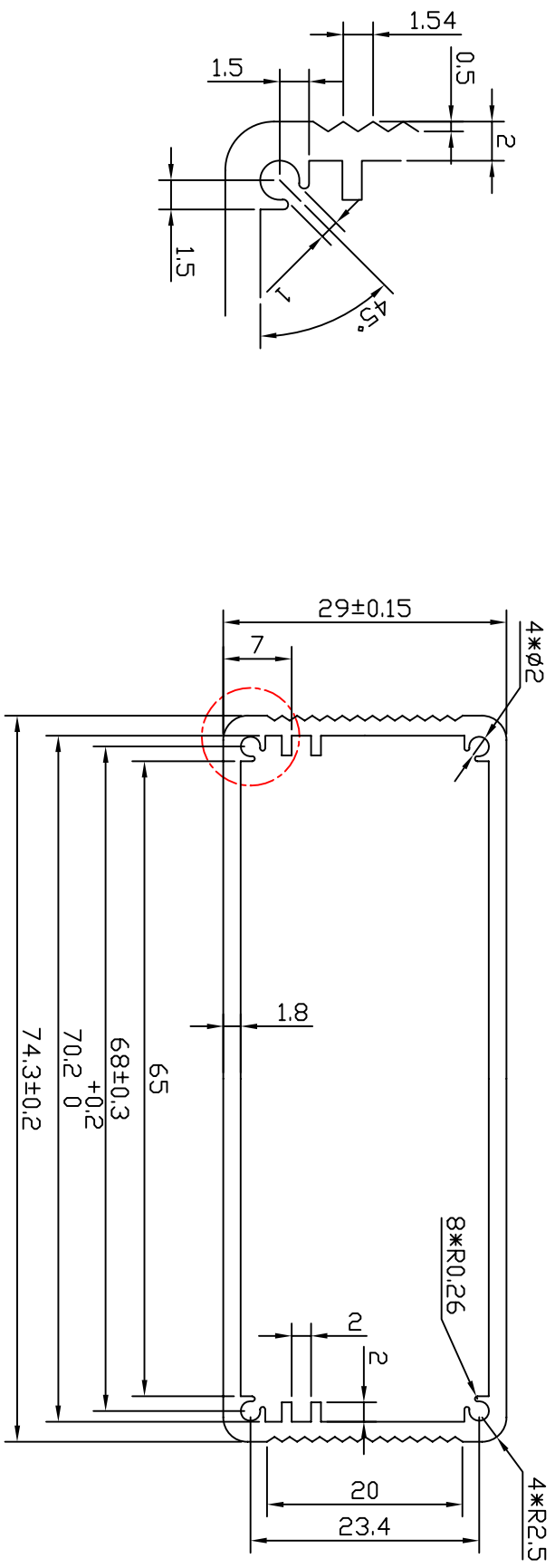


REVISION RECORD				
REV	ECD	DESCRIPTION	DRFT	CHKD



DETACHED LISTS		DATE	DATE
MM	0 ± 0.3	DATE	DATE
MM	.00 ± 0.02	DATE	DATE
MM	.000 ± 0.1	DATE	DATE
ANGLES ± 5°	±	DATE	DATE
FINISH	QT/Y :	DATE	DATE
THIRD ANGLE PROJECTION	MATERIAL : AL	DATE	DATE
SCALE : 1:1	TITLE	DATE	DATE
	AEH041	DATE	DATE
	DRAWING NO. AEH041	DATE	DATE
	/PART NO. 00	DATE	DATE
	DID NOT SCALE DRAWING	DATE	DATE
	SHEET 1	DATE	DATE
	OF 1	DATE	DATE

EVEREST
 www.EVERESTCASE.COM