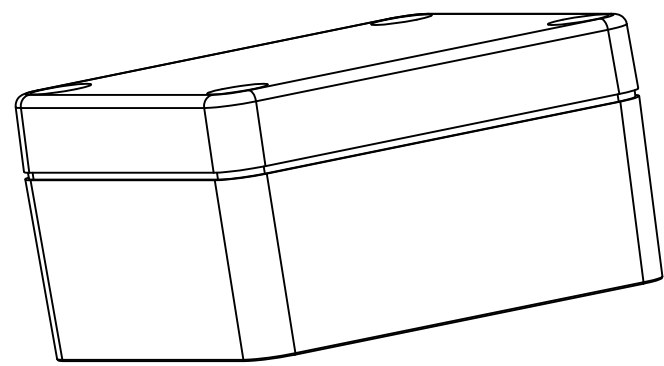
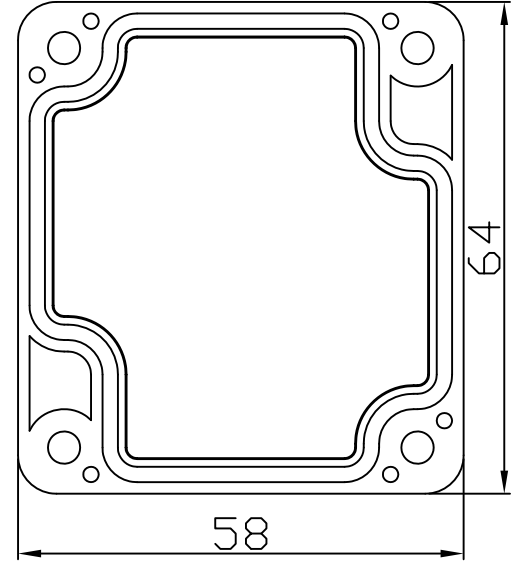
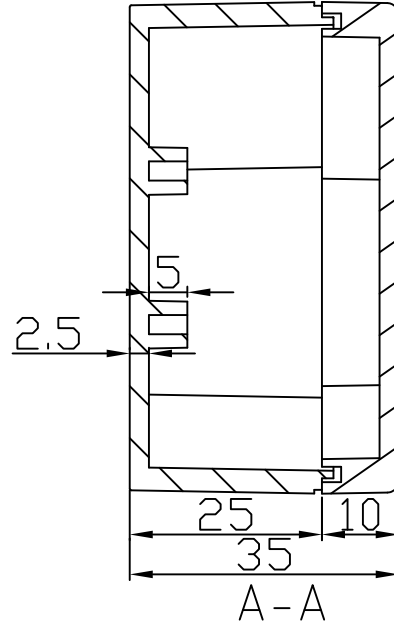
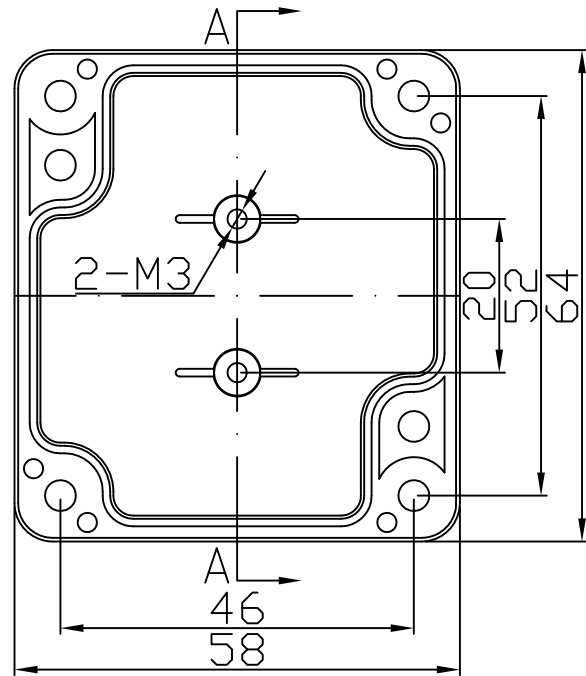


REVISION RECORD				
REV	ECD	DESCRIPTION	DRFT	CHKD



DETACHED LISTS	← MM (INCH) →	DRAWN	NAME	DATE	E:\new logo.jpg	<b>EVEREST</b> WWW.EVERESTCASE.COM
	TOLERANCES EXCEPT AS NOTED	Aaron	03/04/2015			
	MM	CHECKED	ENG APPR.	TITLE		
	.0 ± 0.3 ±	MATERIAL : ABS			PW034	
.00 ± 0.2 ±	QT'Y :			DRAWING NO. PW034	SIZE	REV
.000 ± 0.1 ±	FINISH:			/PART NO. 00	A4	
ANGLES ± 5°	SCALE : 1:1			DO NOT SCALE DRAWING	SHEET 1	OF 1
FIRST ANGLE PROJECTION						