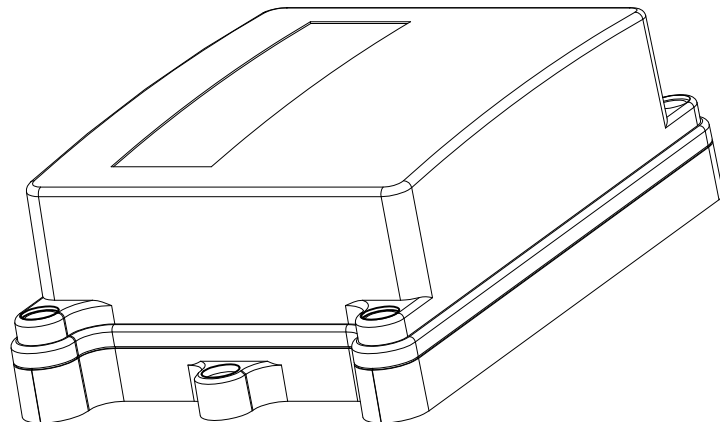
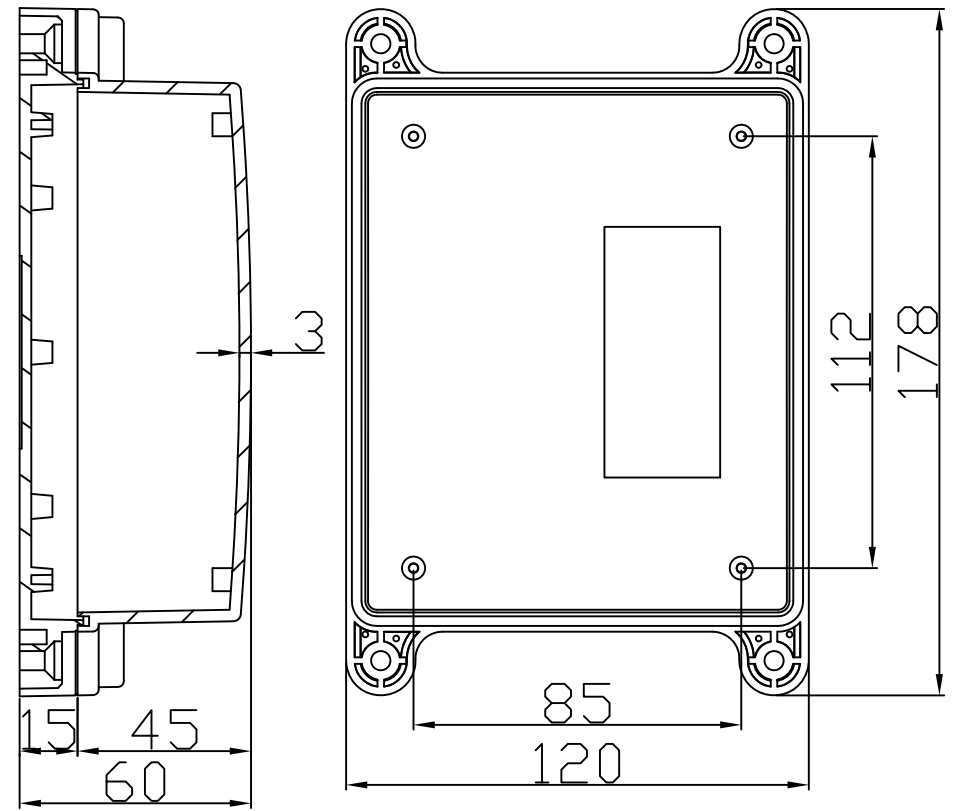
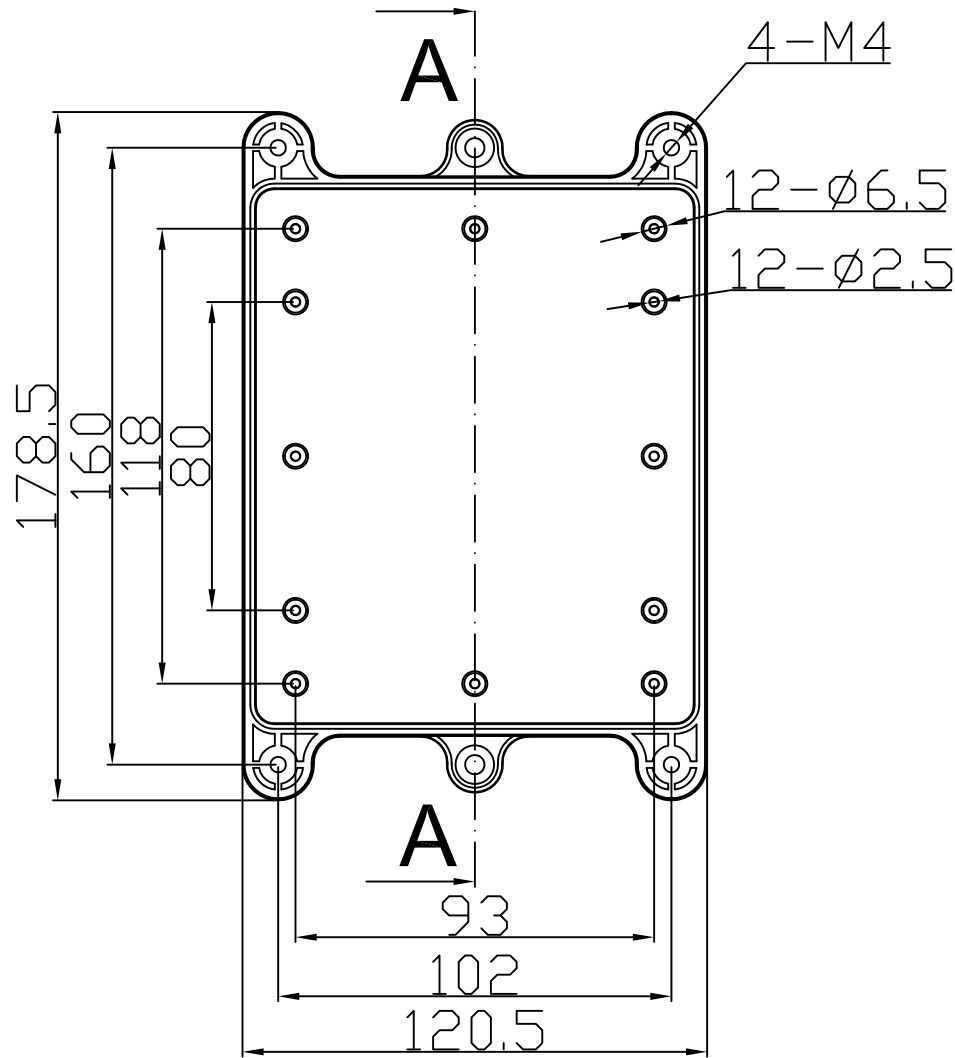


REVISION RECORD				
REV	ECD	DESCRIPTION	DRFT	CHKD



DETACHED LISTS	MM (INCH)	DRAWN	NAME	DATE	E:\new logo.jpg	<b>EVEREST</b> WWW.EVERESTCASE.COM
	TOLERANCES EXCEPT AS NOTED	Kelvin	02/09/2015			
	MM	CHECKED	ENG APPR.		TITLE	PW047
	.0 ± 0.3 ±				DRAWING NO. PW047	
.00 ± 0.2 ±				MATERIAL : ABS	REV	
.000 ± 0.1 ±				QT'Y :	00	A4
ANGLES ± 5°				FINISH:	DRAWING NO. PW047	
FIRST ANGLE PROJECTION				SCALE : 1:1	/PART NO. 00	
					DO NOT SCALE DRAWING	SHEET 1 OF 1