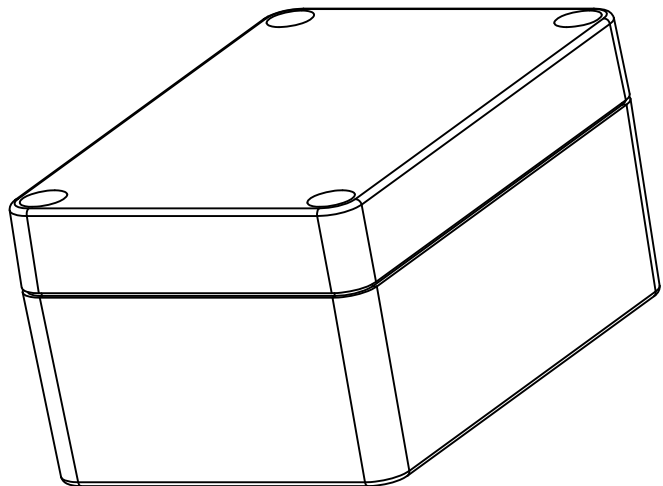
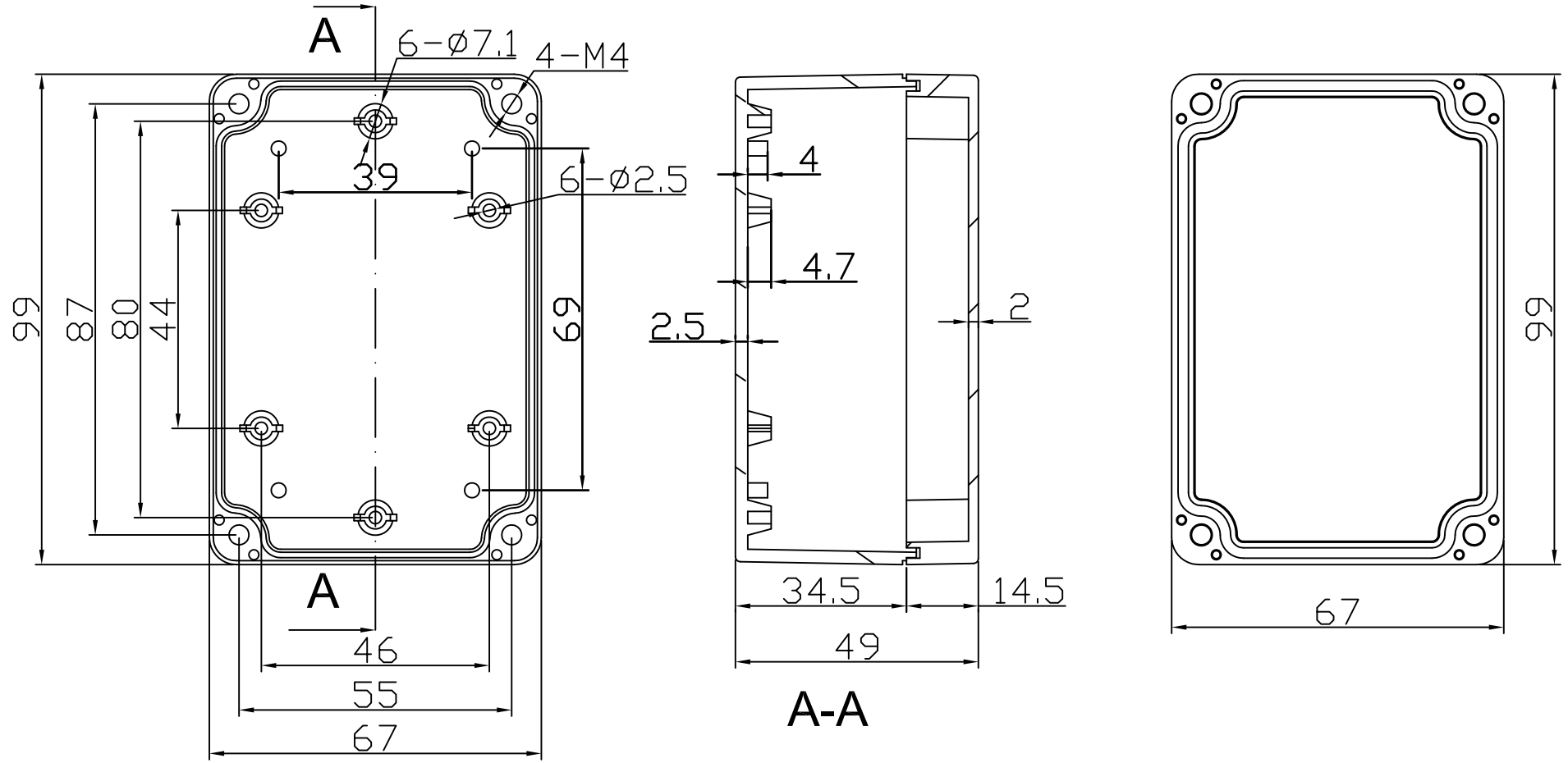


REVISION RECORD				
REV	ECD	DESCRIPTION	DRFT	CHKD



DETACHED LISTS			DRAWN	NAME	DATE		<b>EVEREST</b> WWW.EVERESTCASE.COM	
	TOLERANCES EXCEPT AS NOTED		DRAWN Kelvin	NAME Kelvin	DATE 01/19/2015			
	MM	±	CHECKED	ENG APPR.	TITLE			
	.0 ± 0.3	±			PW136			
.00 ± 0.2	±			DRAWING NO. PW136			SIZE	REV
.000 ± 0.1	±			MATERIAL : ABS			A4	
ANGLES ± 5°		QT'Y :		DRAWING NO. PW136				
		FINISH:		/PART NO. 00				
FIRST ANGLE PROJECTION		SCALE : 1:1		DO NOT SCALE DRAWING			SHEET 1	OF 1