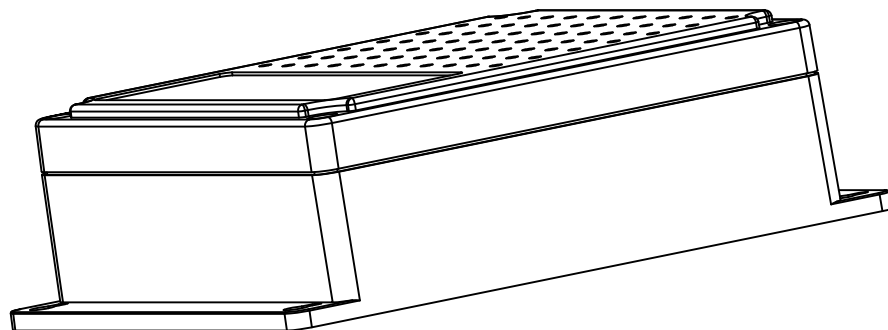
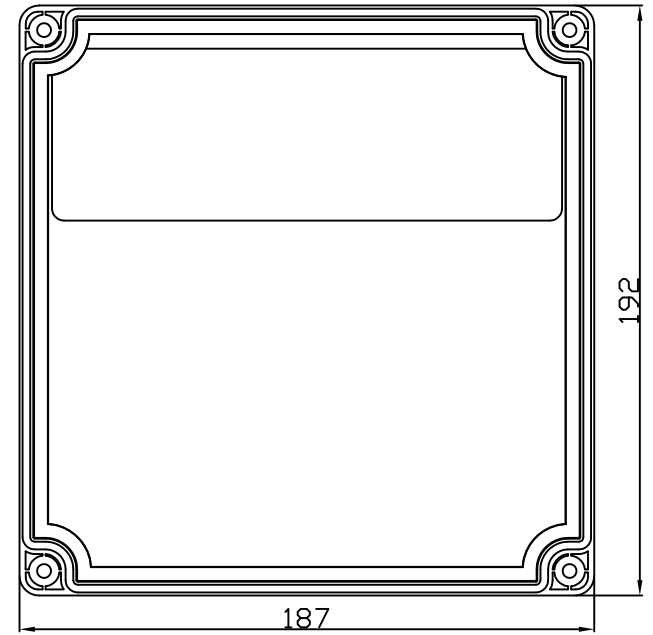
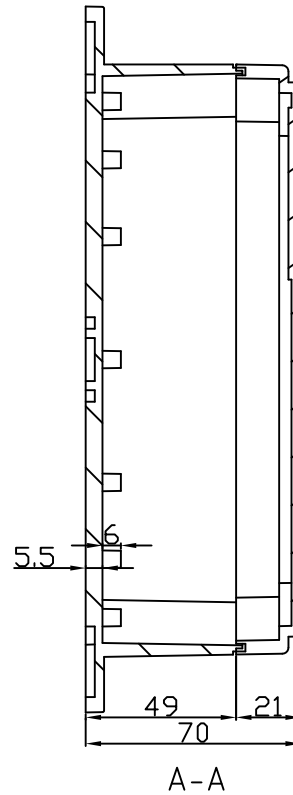
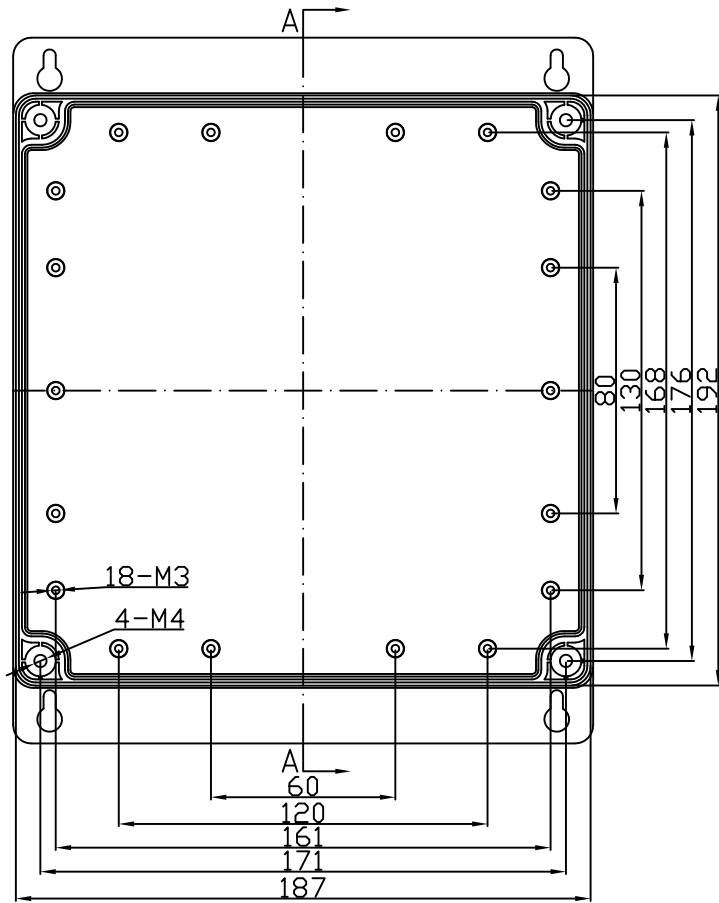


REVISION RECORD				
REV	ECO	DESCRIPTION	DRFT	CHKD



TOLERANCES EXCEPT AS NOTED		DRAWN	NAME	DATE	E:\new logo.jpg		EVEREST		
MM		CHECKED	Aaron	03/05/2015			WWW.EVERESTCASE.COM		
.0 ± 0.3	±	ENG APPR.					TITLE		
.00 ± 0.2	±						PW142		
.000 ± 0.1	±						DRAWING NO. PW142		
ANGLES ± 5°		MATERIAL : ABS		QT'Y :		DRAWING NO. PW142		SIZE	REV
FIRST ANGLE PROJECTION		FINISH:		SCALE : 1:1		DRAWING NO. PW142		A4	
		DO NOT SCALE DRAWING		SHEET 1		OF 1			