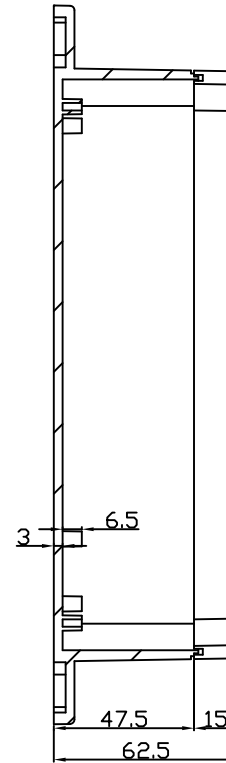
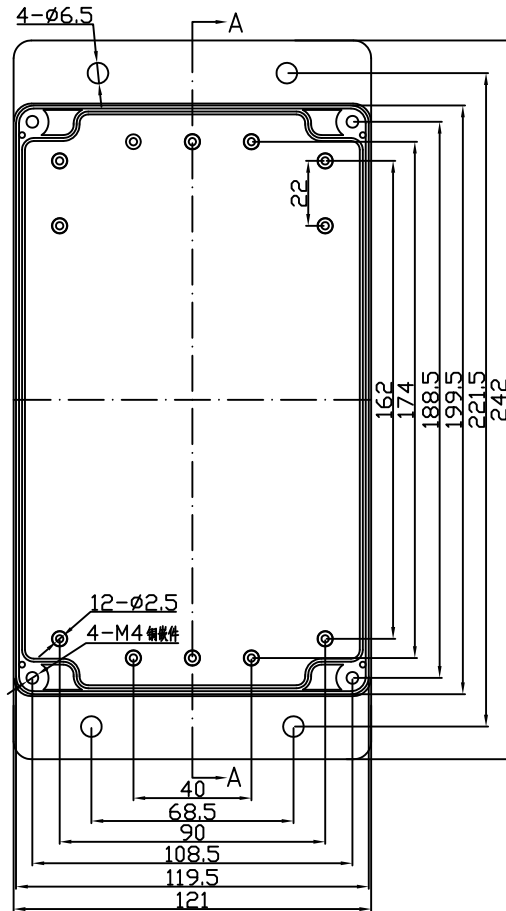
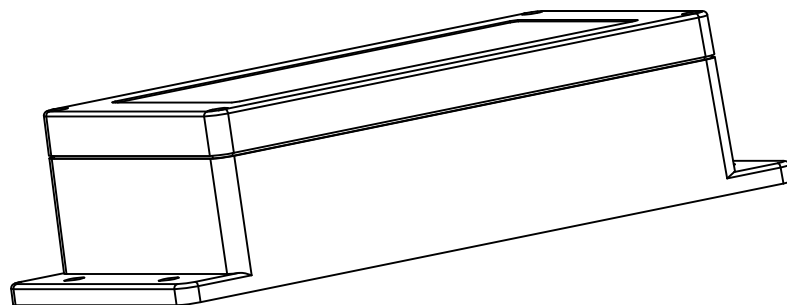
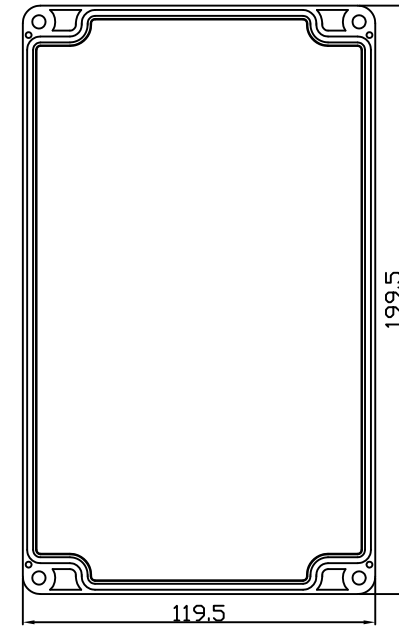


REVISION RECORD				
REV	ECD	DESCRIPTION	DRFT	CHKD



A-A



MM (INCH)		NAME	DATE	EVEREST	
TOLERANCES EXCEPT AS NOTED		DRAWN	Aaron	01/28/2015	E:\new logo.jpg
		CHECKED			
		ENG APPR			TITLE
		MATERIAL : ABS			
ANGLES ± 5°		QT'Y :			DRAWING NO. PW154
FIRST ANGLE PROJECTION		FINISH:			
		SCALE : 1:1			/PART NO. 00
		DO NOT SCALE DRAWING			SIZE A4
		SHEET 1			REV OF 1

WWW.EVERESTCASE.COM

PW154