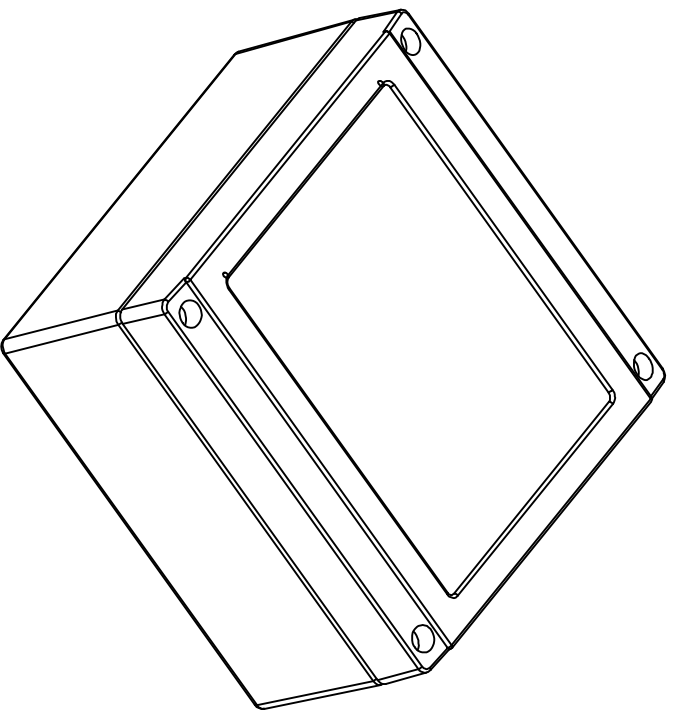
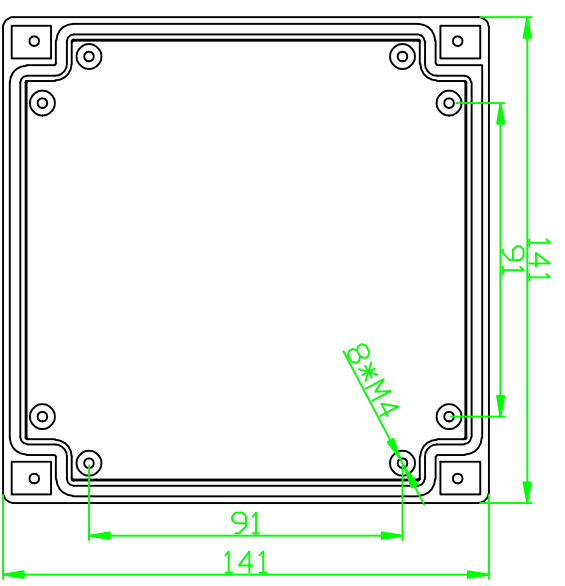
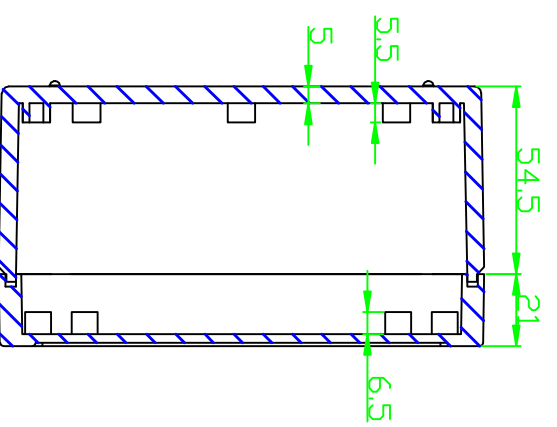
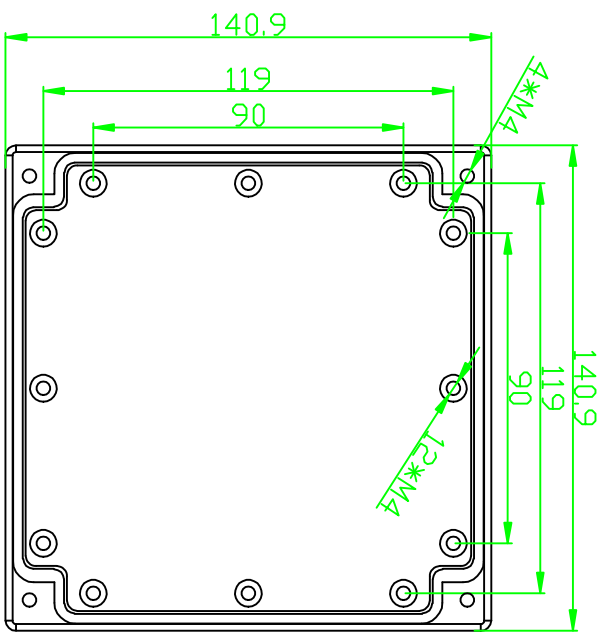


REVISION RECORD				
REV	ECD	DESCRIPTION	DRFT	CHKD



DETACHED LISTS			
 FIRST ANGLE PROJECTION	 MM (INCH)	TOLERANCES EXCEPT AS NOTED	
	0 ± 0.3 0.05 ± 0.02 0.00 ± 0.01	± ± ±	MATERIAL: AL
ANGLE: ± 5°	DRAWN:	NAME:	DATE:
FINISH:	CHECKED:	ENG APPR:	QTY:
SCALE: 1:1	DRAWING NO: AW010	PART NO: 00	TITLE:
DID NOT SCALE DRAWING	SHEET 1	OF 1	SIZE: A4 REV:

EVEREST
 WWW.EVERESTCASE.COM