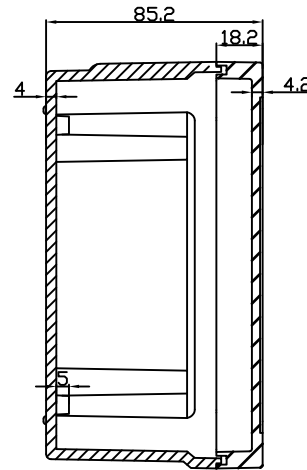
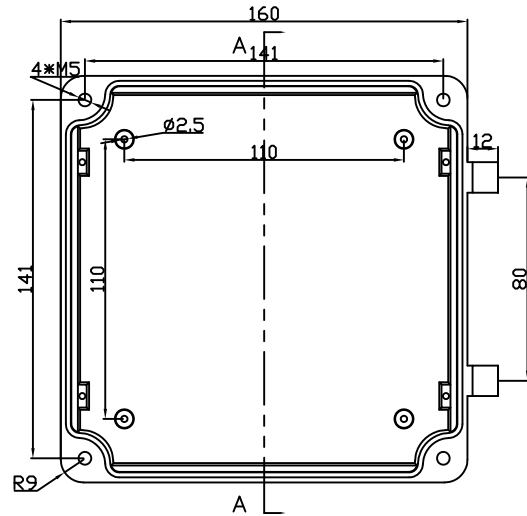
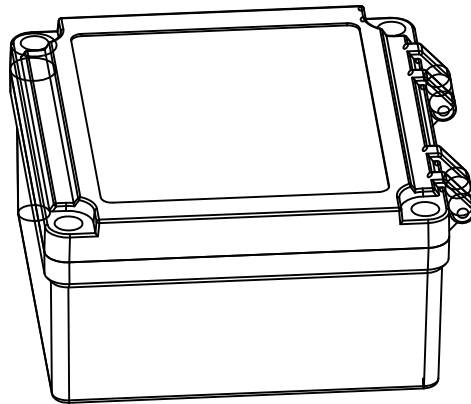
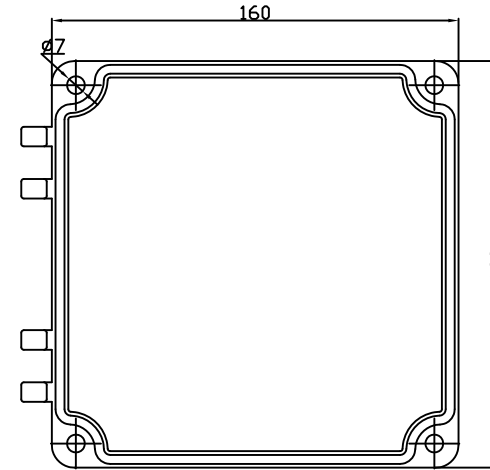


REVISION RECORD				
REV	ECD	DESCRIPTION	DRFT	CHKD



A-A



DETACHED LISTS			DRAWN	NAME	DATE		EVEREST WWW.EVERESTCASE.COM	
	TOLERANCES EXCEPT AS NOTED		CHECKED					
	MM	±	MATERIAL : AL			AW100 DRAWING NO. AW100 /PART NO. 00		
	.0 ± 0.3	±	QT'Y :					SIZE
.00 ± 0.2	±	FINISH:			A4			
.000 ± 0.1	±	SCALE : 1:1			DO NOT SCALE DRAWING		SHEET 1	OF 1
ANGLES ± 5°								
FIRST ANGLE PROJECTION								